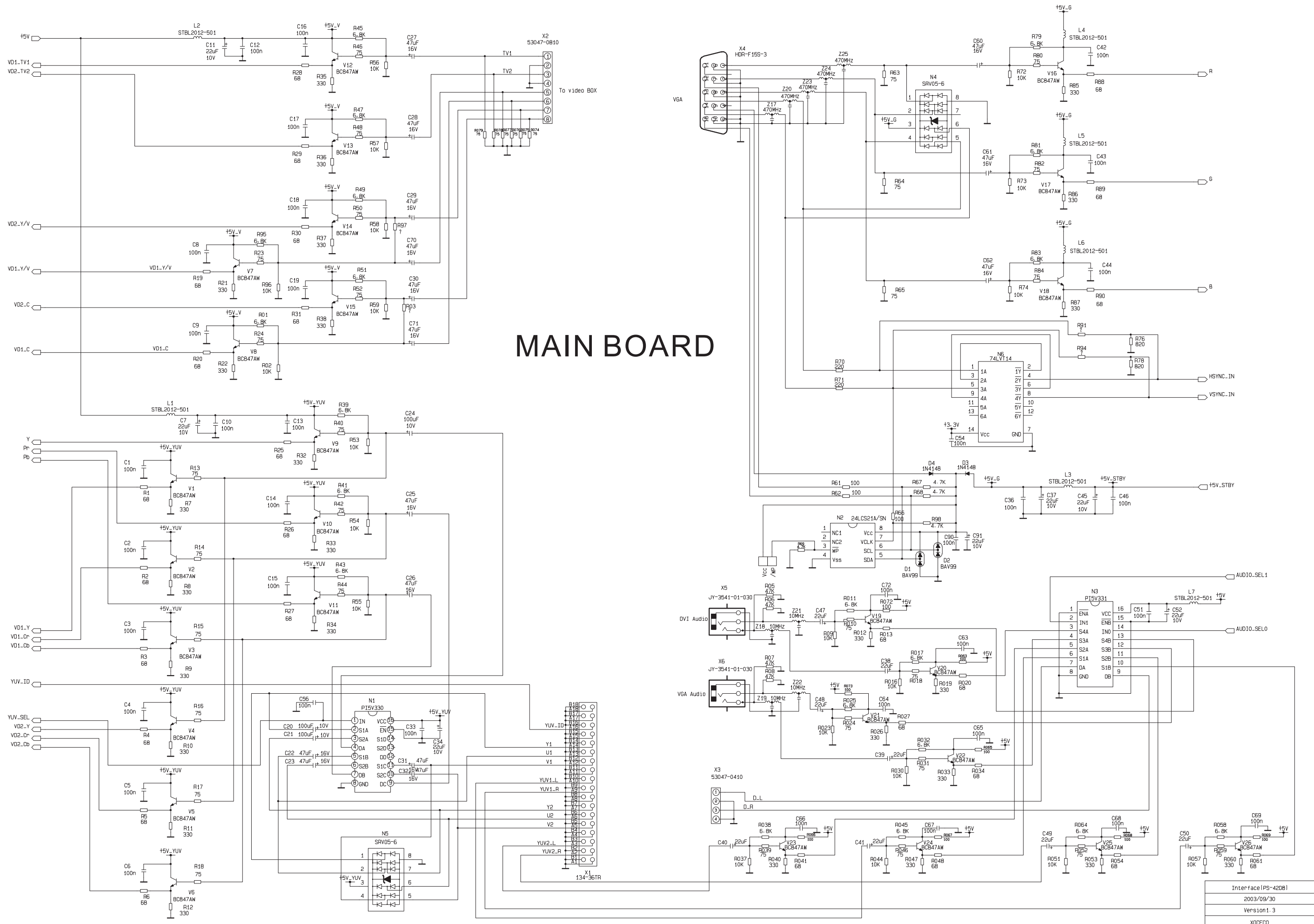
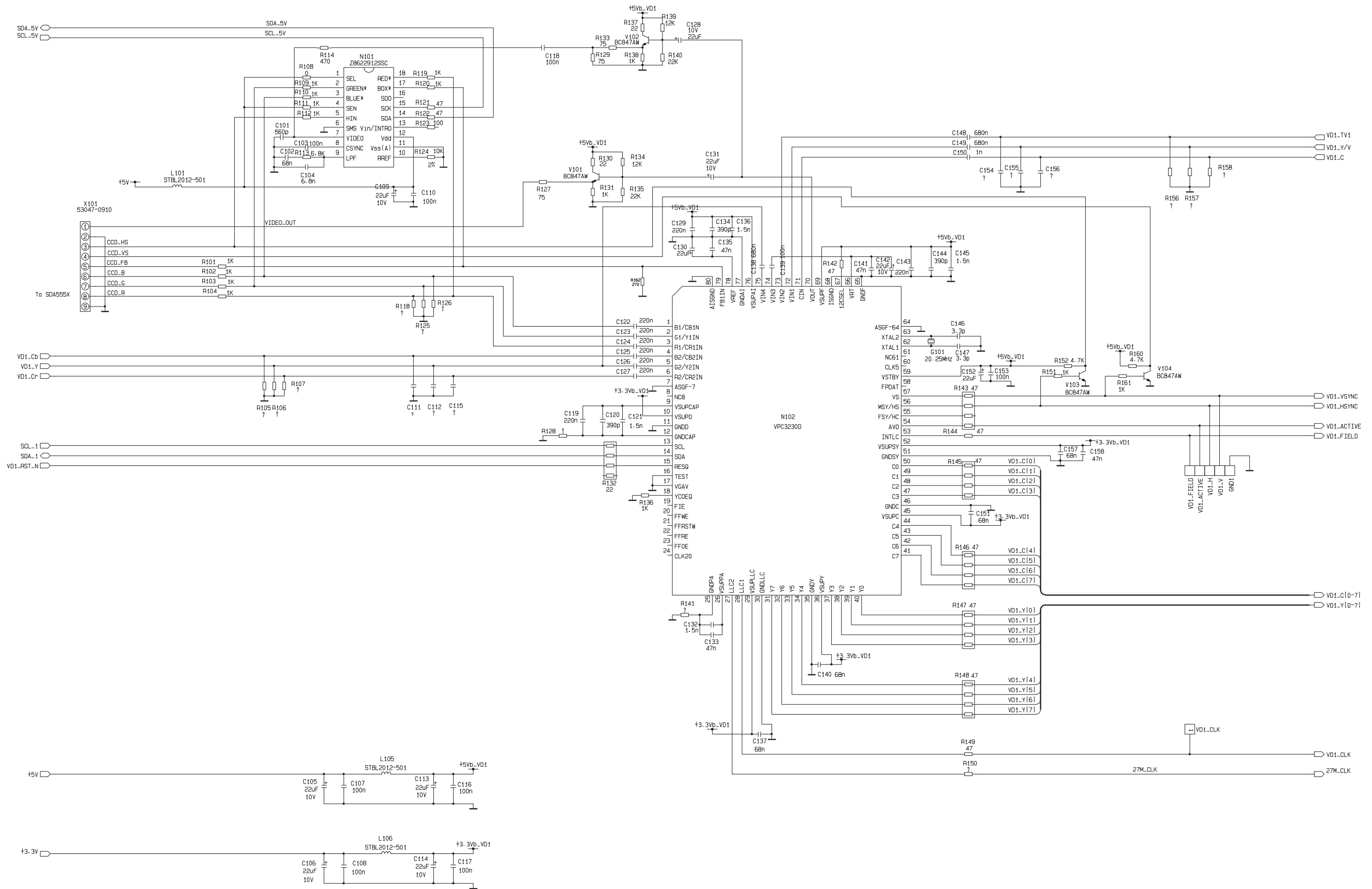


SCHEMATIC DIAGRAM

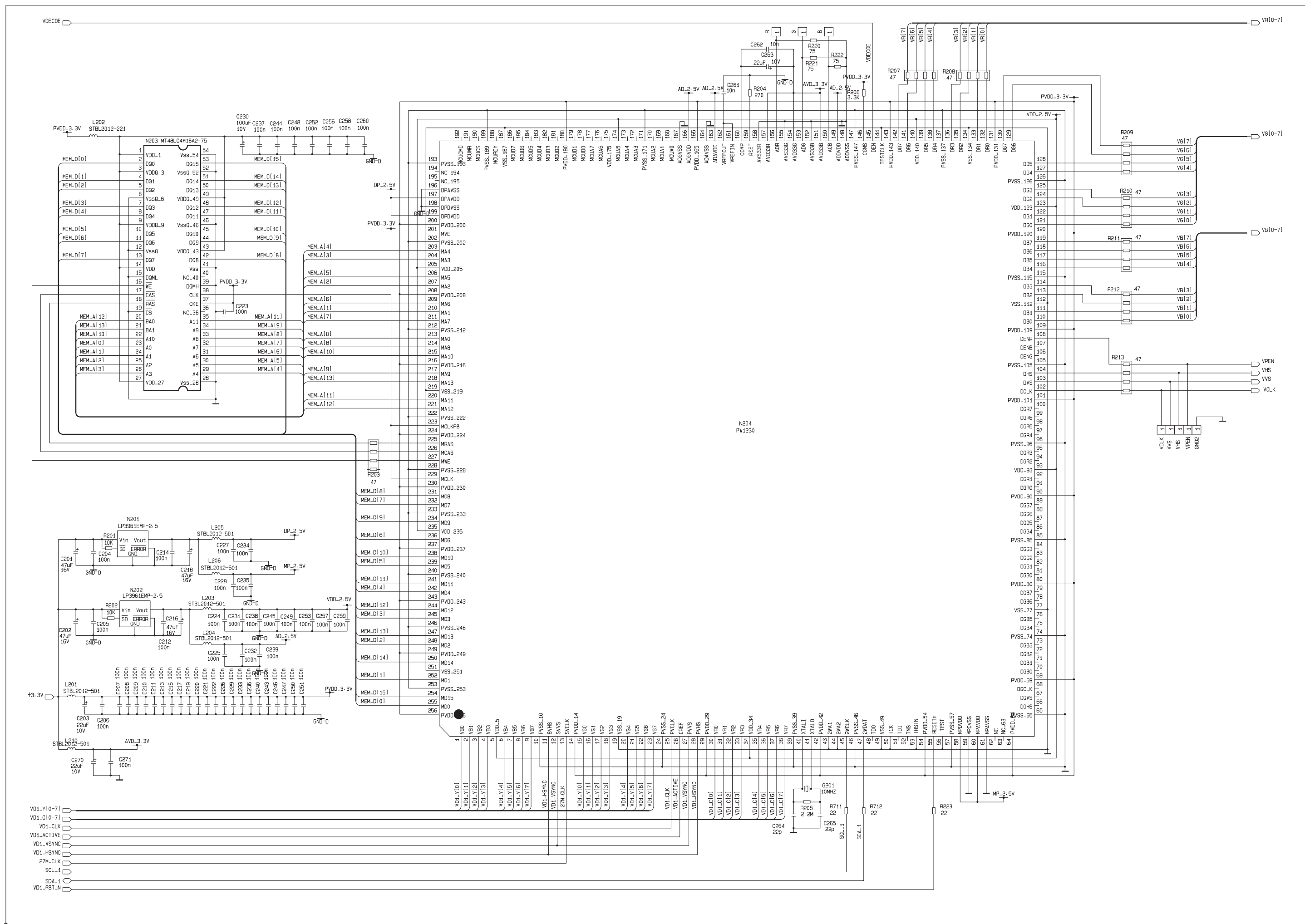
MAIN BOARD

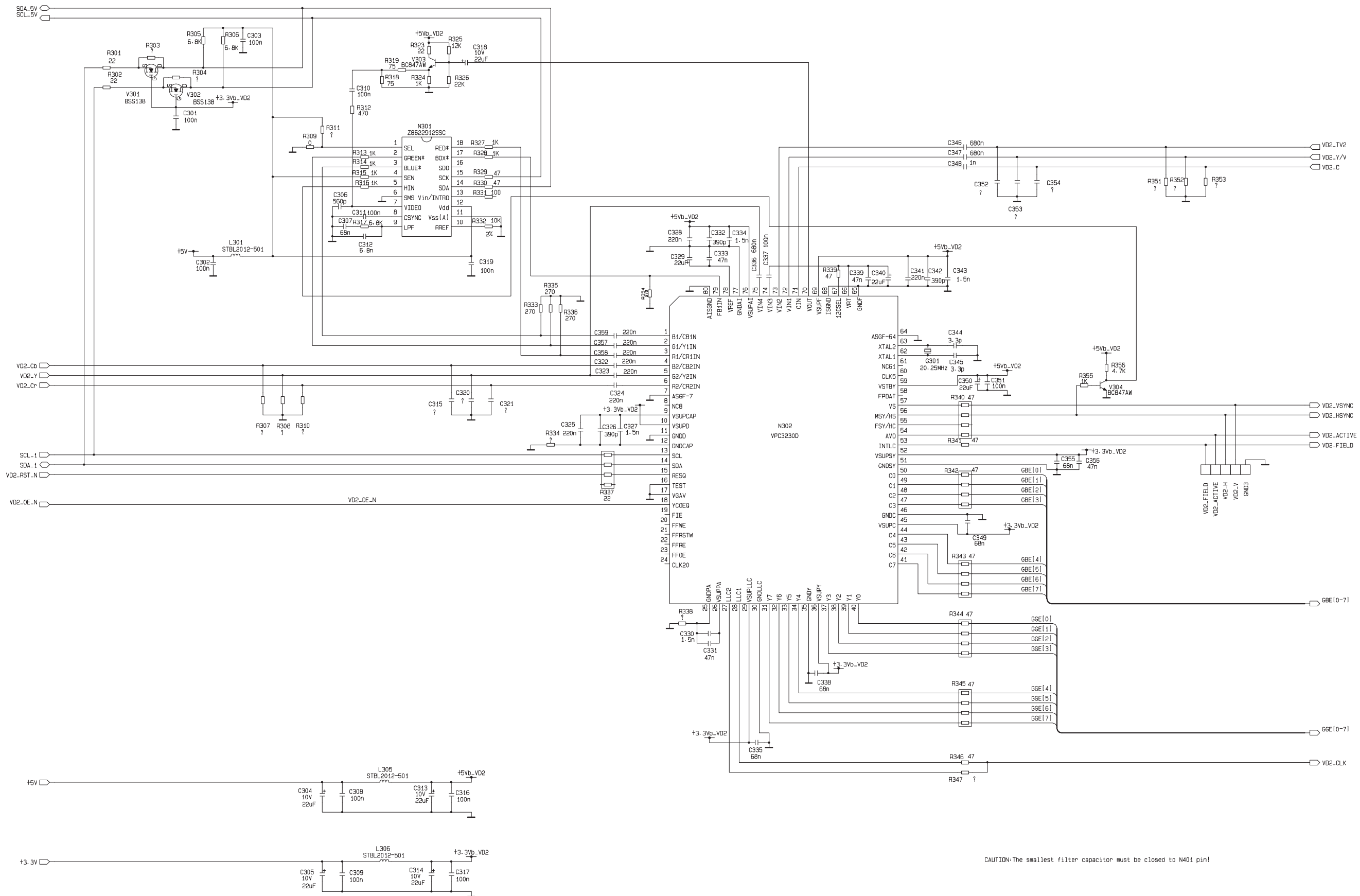


Interface (PS-420B)
2003/09/30
Version 1.3
XOCCCO

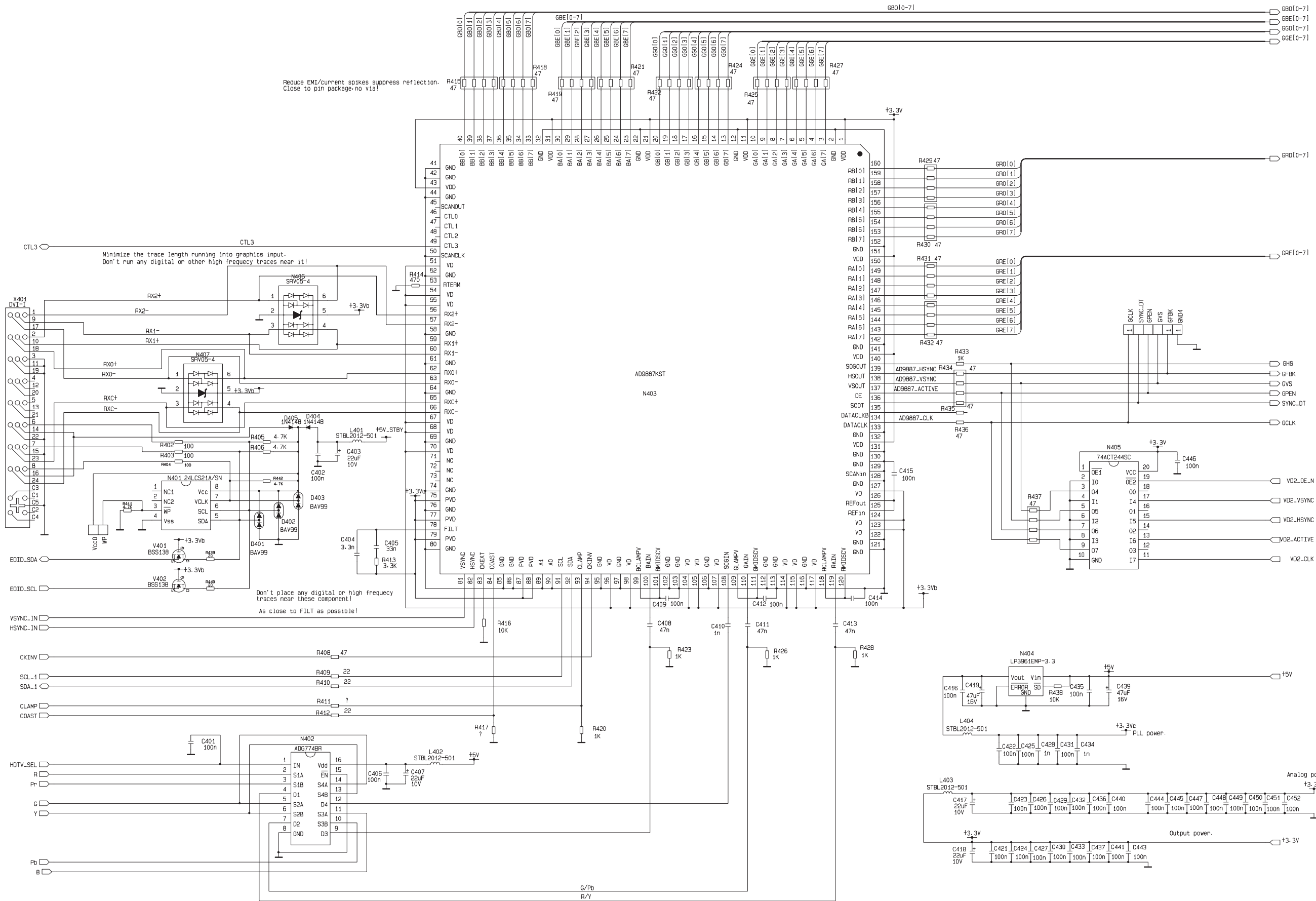


CAUTION: The smallest filter capacitor must be closed to N201 pin!





CAUTION: The smallest filter capacitor must be closed to N401 pin1



Reduce EMI/current spikes suppress reflection.
Close to pin package-no via!

Minimize the trace length running into graphics input.
Don't run any digital or other high frequency traces near it!

Don't place any digital or high frequency
traces near these component!
As close to FILT as possible!

Avoid running any digital traces near the analog input!

GBO[0-7]

GBO[0-7]
GRE[0-7]
GRI[0-7]
GRE[0-7]

GRI[0-7]

GRE[0-7]

GHS
GFBK
GVS
GPN
SYNC-DT

VD2_OE_N
VD2_VSYNC
VD2_HSYNC
VD2_ACTIVE
VD2_CLK

+5V

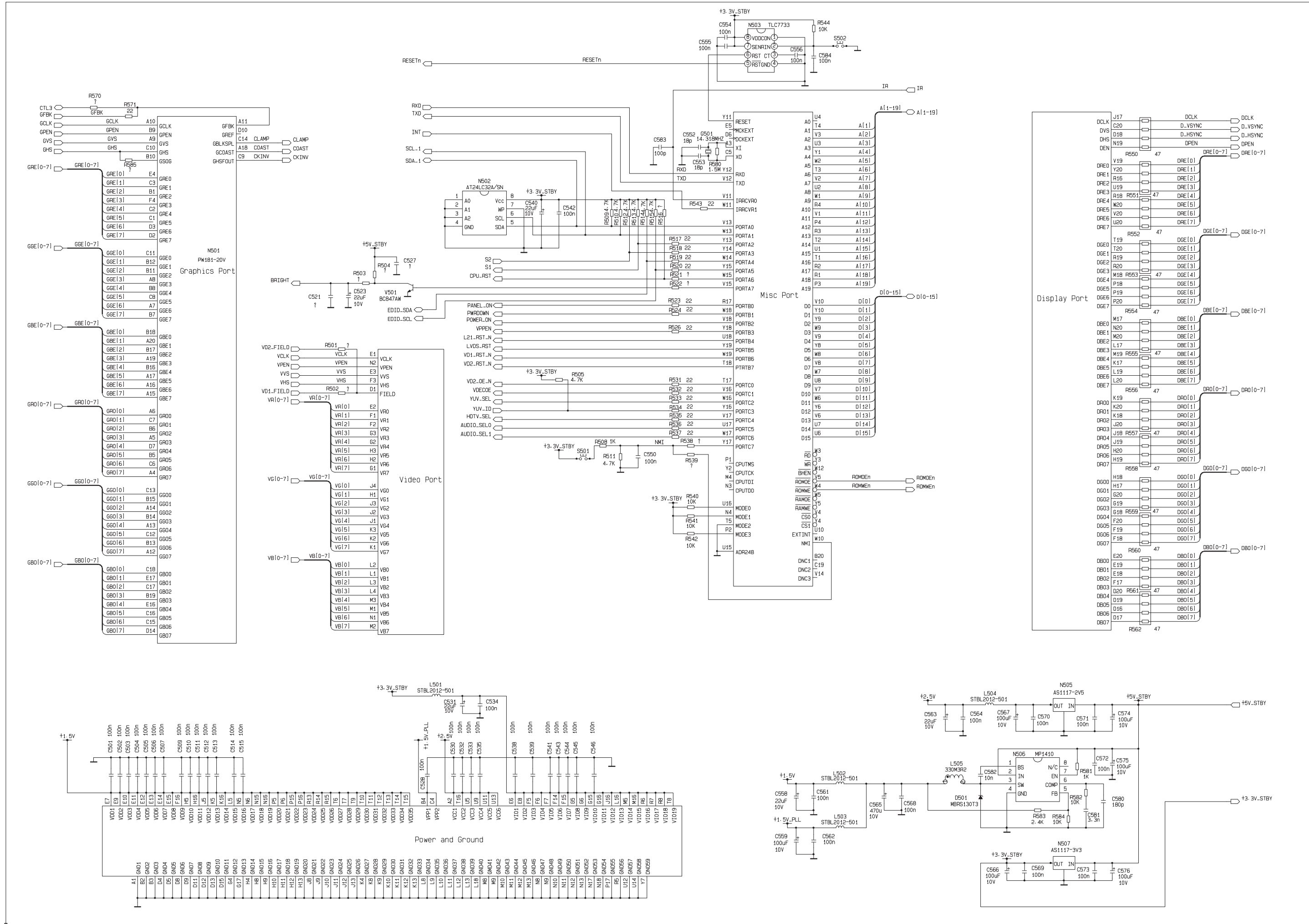
+3.3Vc
PLL power.

Analog power.
+3.3vb

Output power.
+3.3V

AD9887KST
N403

G/Pd
R/Y



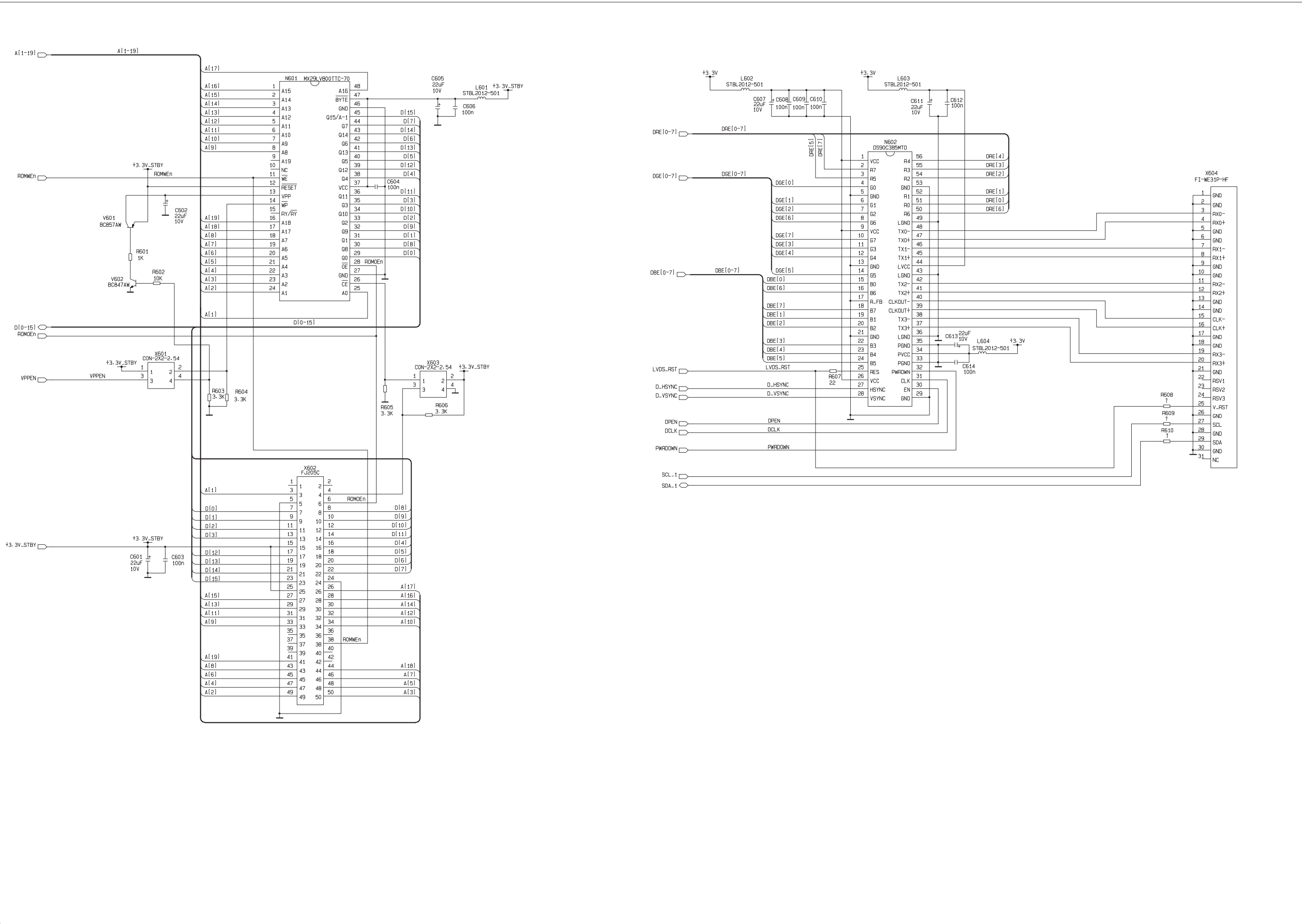
Graphics Port

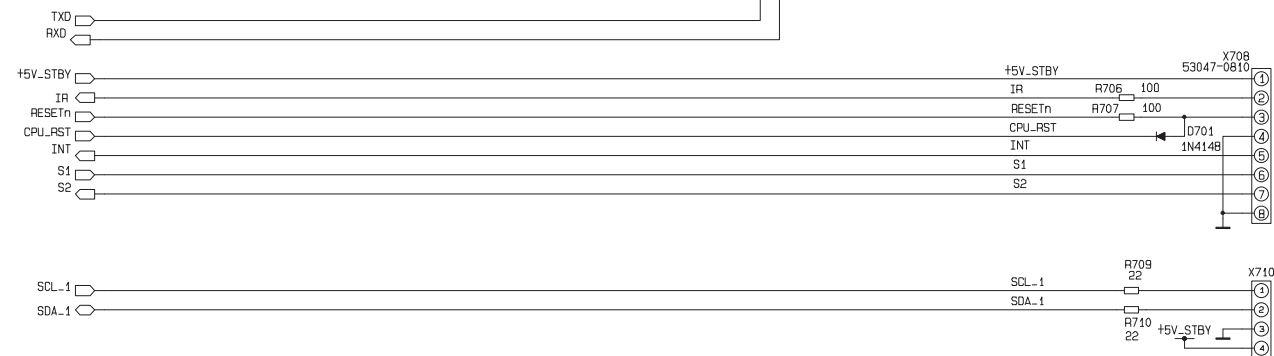
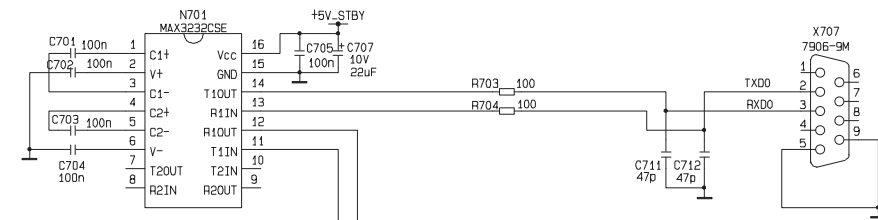
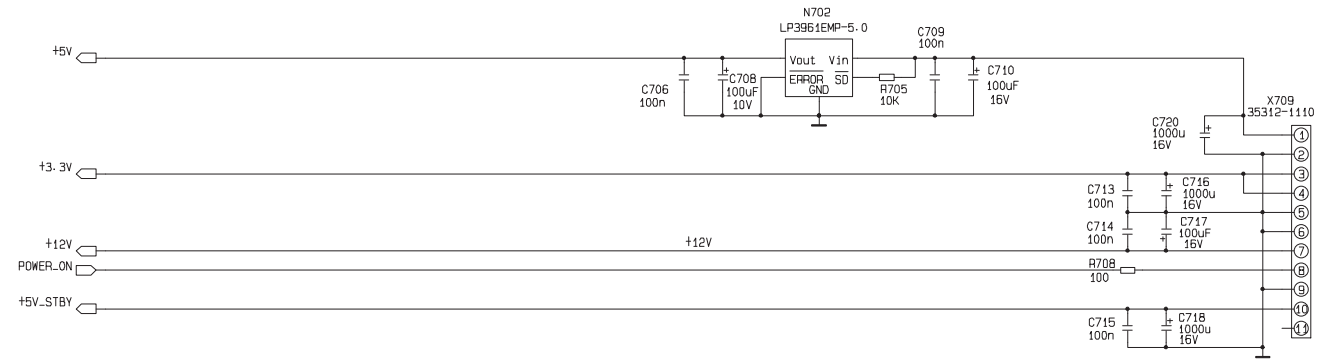
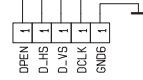
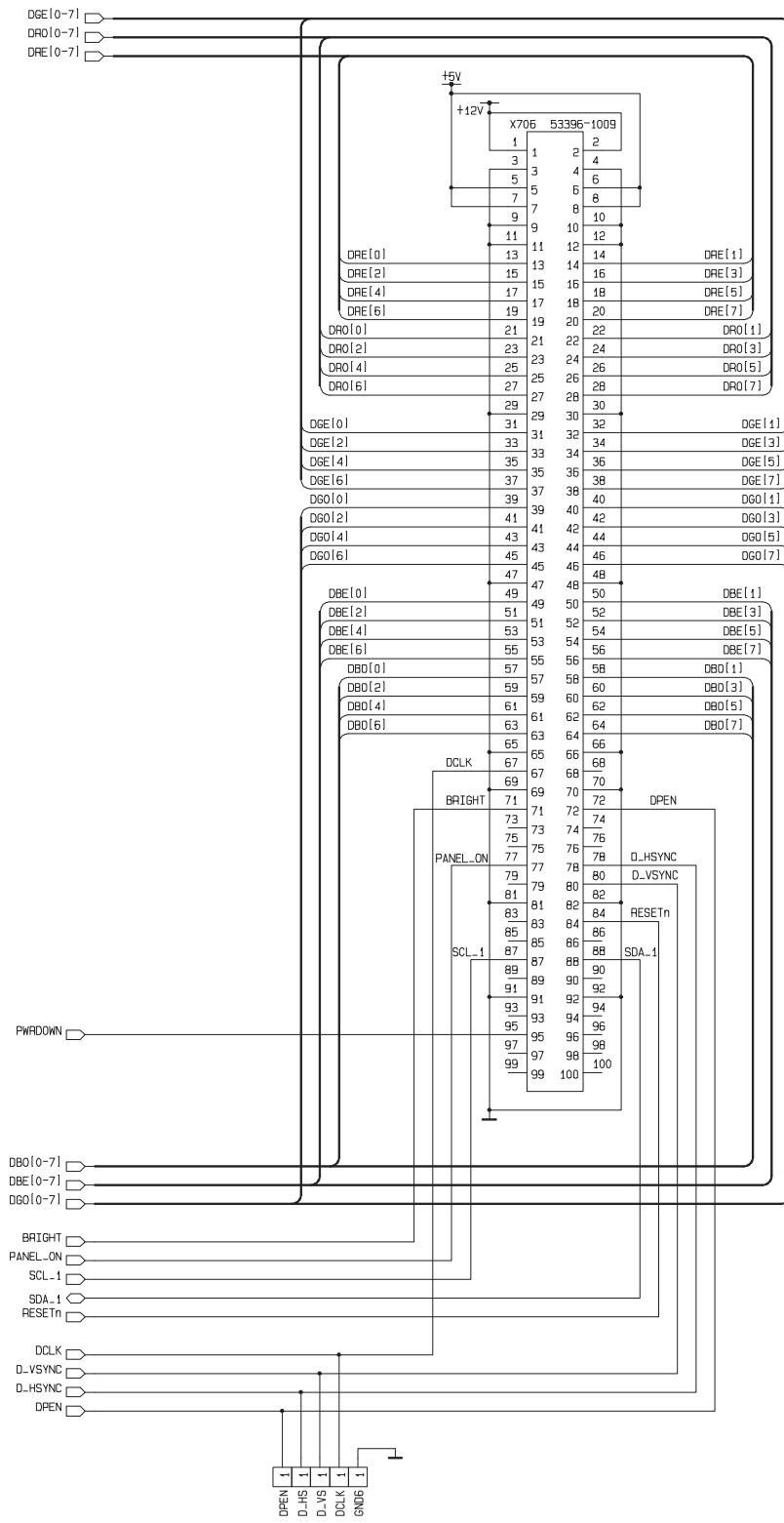
Video Port

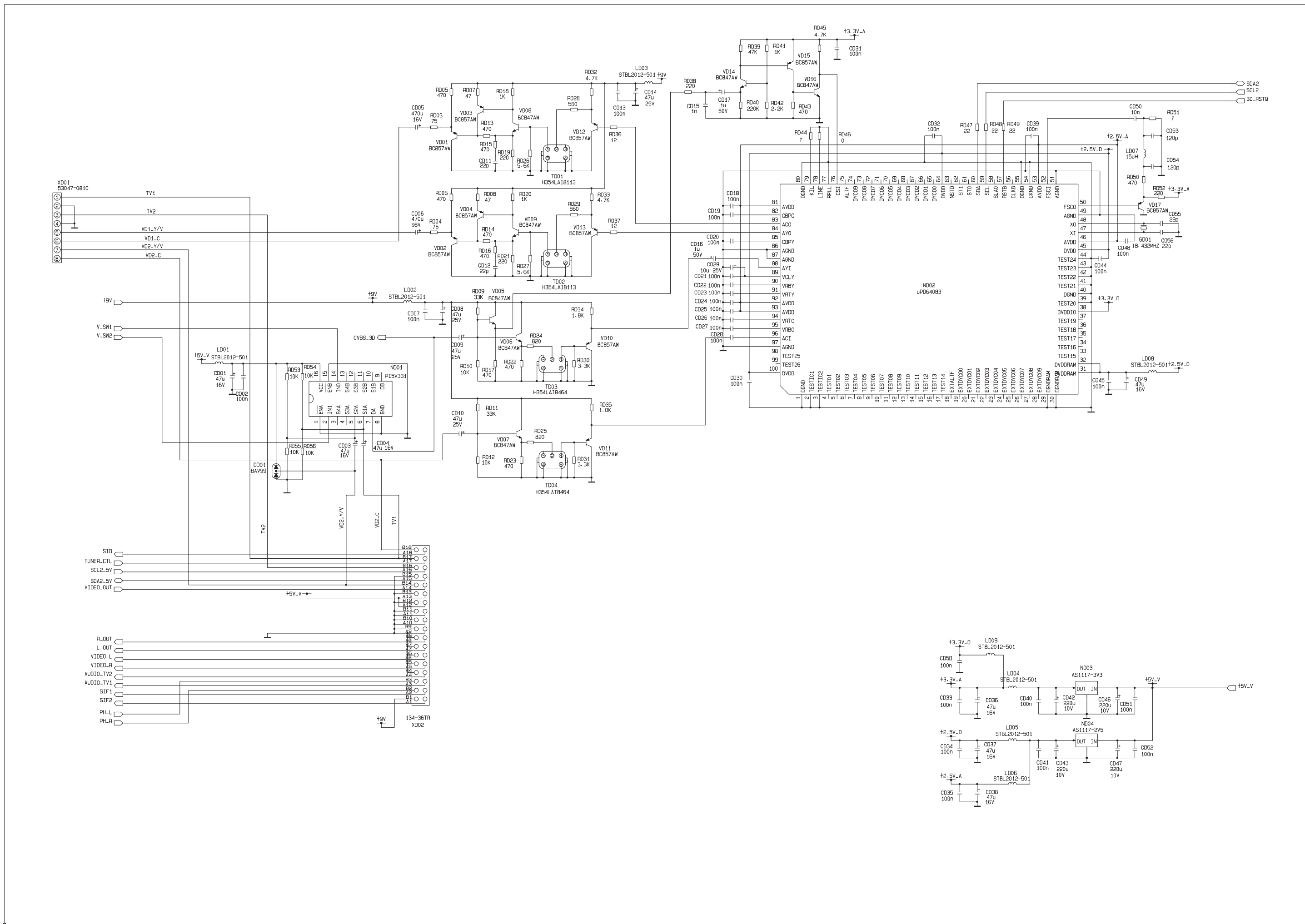
Misc Port

Display Port

Power and Ground







A

B

C

D

E

F

1

2

3

4

